

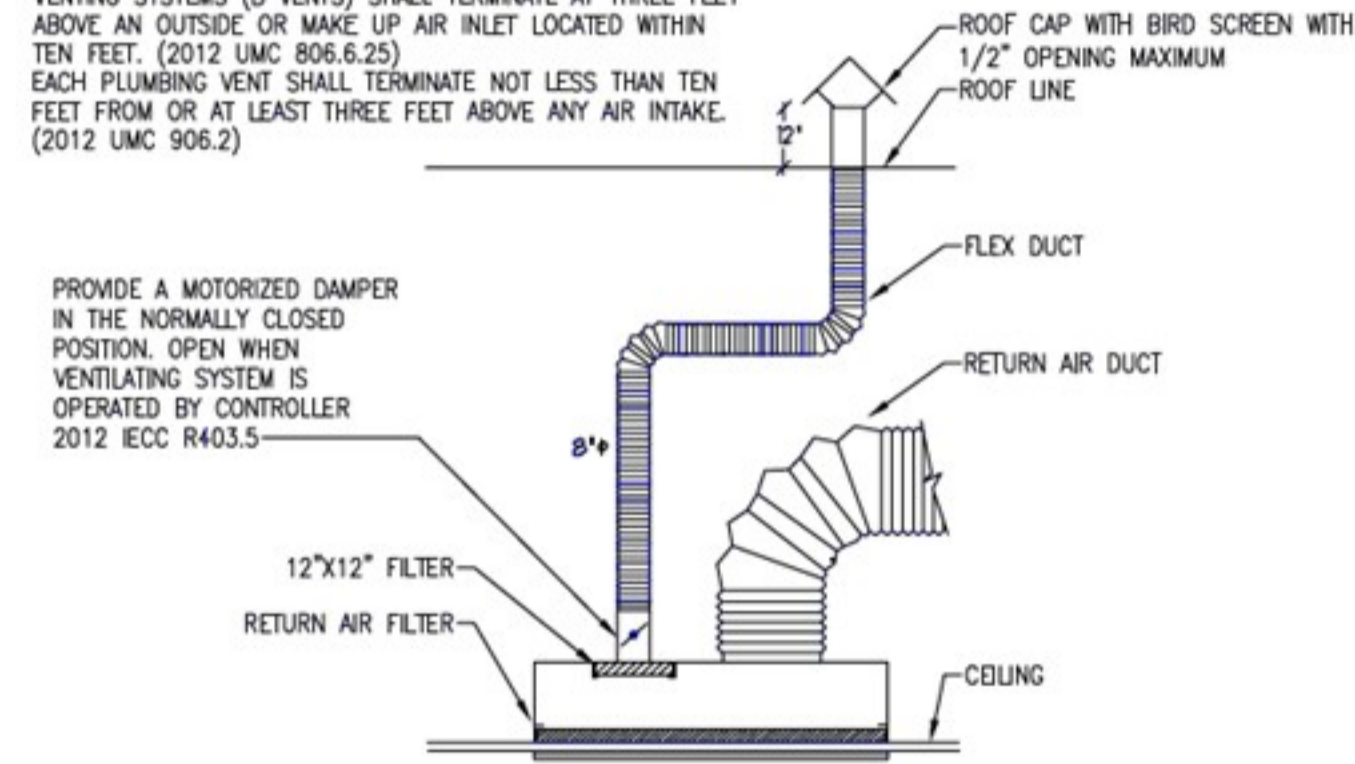
- 1 FULL SIZE GALVANIZED SHEET METAL AUXILIARY DRAIN PAN
- 2 VOLUME DAMPER (TYP)
- 3 EXTERNALLY INSULATED RETURN AIR DUCT. SEE M-101 FOR SIZE AND ROUTING.
- 4 3/4" SECONDARY OVERFLOW DRAIN, INSULATED WITH 1/2" THK FOAM. TERMINATE AT EAVE SOFFIT 12" MAX FROM OUTSIDE WALL W/ ESCUTHEON.
- 5 3/4" CONDENSATE DRAIN LINE. INSULATE WITH 1/2" THK FOAM. RUN DRAIN TO EXTERIOR AS INDICATED ON P-101.
- 6 FLEX CONNECTION (TYP.)
- 7 EXTERNALLY INSULATED SUPPLY AIR DUCT. SEE M-101 FOR SIZE AND ROUTING.
- 8 ROD BRAY BRACING (TYP.) CONTRACTOR'S STRUCTURAL ENGINEER TO VERIFY REQUIRED SIZE.
- 9 DEFLECTION SPRINGS ISOLATORS. CONTRACTOR TO VERIFY SIZE.
- 10 REFRIGERANT LINES TO OUTDOOR UNITS.
- 11 FIELD FABRICATED BASE RAIL. MAY BE SUPPLIED BY UNIT MANUFACTURERS. (FIELD VERIFY)
- 12 COIL MODULE
- 13 FORCE AIR UNIT MODULE
- 14 STRUCTURAL ATTACHMENT SHOWN AS REFERENCE ONLY. STRUCTURAL ENGINEER SHALL DESIGN AND DETAIL ATTACHMENT TO BEAMS, ETC.
- 15 STRUCTURE

9 SPLIT UNIT DIAGRAM

NO SCALE

NOTICE

1. VENTING SYSTEMS (8 VENTS) SHALL TERMINATE AT THREE FEET ABOVE AN OUTSIDE OR MAKE UP AIR INLET LOCATED WITHIN TEN FEET. (2012 UMC 806.6.25)
2. EACH PLUMBING VENT SHALL TERMINATE NOT LESS THAN TEN FEET FROM OR AT LEAST THREE FEET ABOVE ANY AIR INTAKE. (2012 UMC 906.2)



11 TYPICAL OUTSIDE AIR CONNECTION DIAGRAM

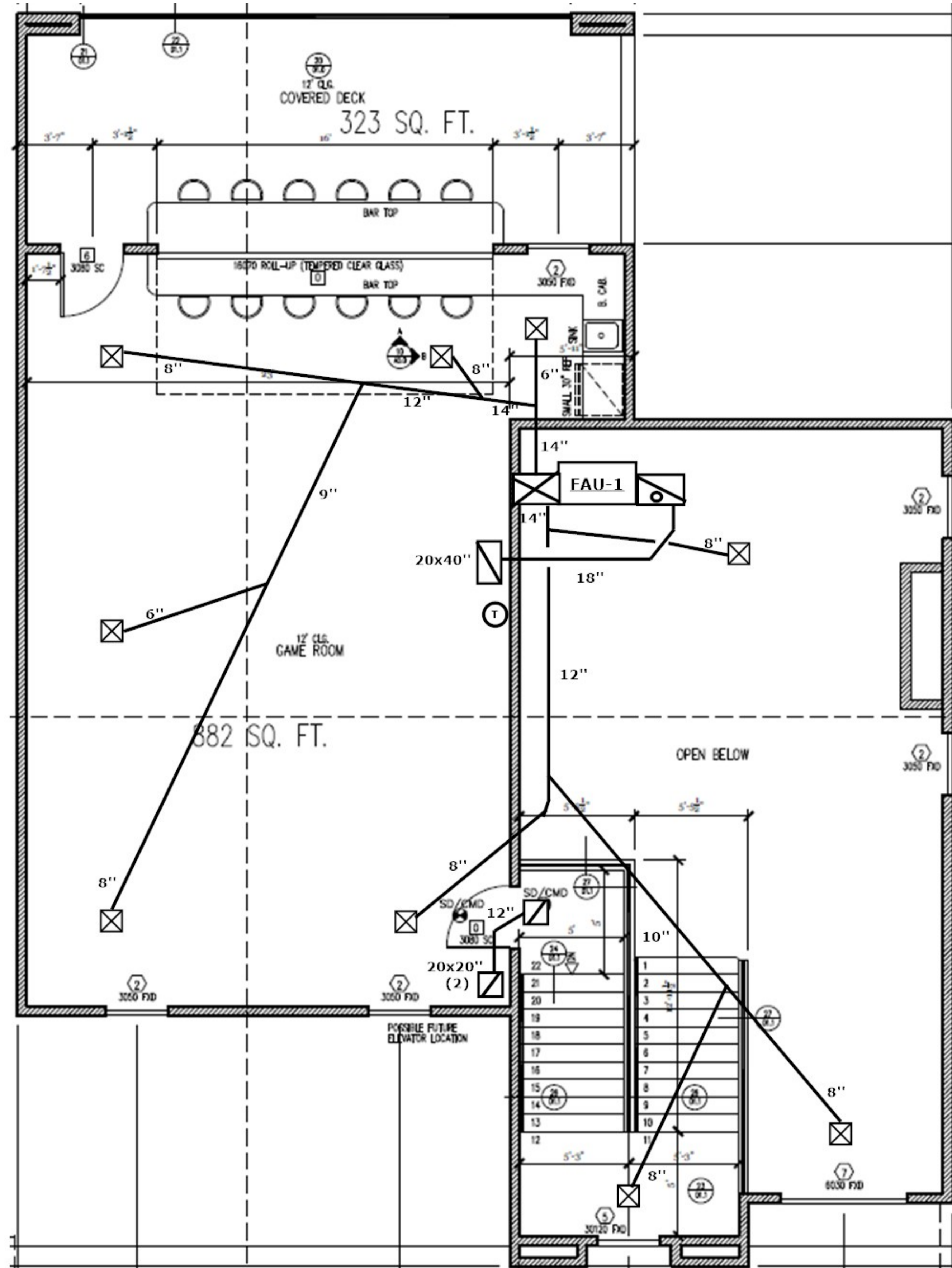
NO SCALE

AIR OUTLETS SCHEDULE		
TYPE	DESCRIPTIONS	MFR / MODEL NO.
CD	CEILING SUPPLY DIFFUSER, FOR T-BAR CLG ADJUSTABLE STAMPED CEILING DIFFUSER ROUND NECK AND WITH DAMPER.	NAILOR RN5A OR EQUAL
CR	CEILING RETURN REGISTER WITH 1/2" GRID CORE FACE, GYP. BOARD FILTER FRAME, FILTER AND ROUND NECK ADAPTER.	NAILOR 51FE OR EQUAL
CD	ROUND CEILING DIFFUSER, FOR EXPOSED STRUCTURE STEEL ADJUSTABLE DISCHARGE ROUND NECK AND WITH DAMPER.	NAILOR MODEL RNR
WS	WALL SUPPLY REGISTER, HORIZONTAL FRONT DOUBLE DEFLECTION, INDIVIDUALLY ADJUSTABLE ROUND NECK ADAPTER.	NAILOR 71DH OR EQUAL
CD	CEILING SUPPLY DIFFUSER, FOR GYP. BOARD CLG INDIVIDUALLY ADJUSTABLE, ALUMINUM CONSTRUCTION ROUND NECK ADAPTER AND WITH DAMPER.	NAILOR 51C-4A OR EQUAL

SYMBOL LIST	
	CD CEILING DIFFUSER
	CR CEILING RETURN GRILLE
	ER EXHAUST REGISTER
	WS WALL SUPPLY REGISTER
	WR WALL RETURN GRILLE
	SAD SUPPLY AIR DUCT
	RAD RETURN AIR DUCT
	EAD EXHAUST AIR DUCT
	VD VOLUME DAMPER
	FD FIRE DAMPER
	SD DUCT SMOKE DETECTOR
	T THERMOSTAT
	DL DOOR LOUVER

CFM FLEX DUCT CHART

- 6"-75-100
- 8"-200-250
- 9"-250-350
- 10"-300-400
- 12"-450-600
- 14"-600-1000
- 16"-1000-1200
- 18"-1200-1600
- 20"-1600-2000



Project Title
REYNOLD RESIDENCE
PARCEL#
179-04-503-001

SHEET TITLE
L&S Air Conditioning
Lic # 40987

Issue Date
MARCH 28/2021
DRAWN BY
LEO SANTORO JR
Project # 21-065

STAMP